



aerospace
climate control
electromechanical
filtration
fluid & gas handling
hydraulics
pneumatics
process control
sealing & shielding



IQAN Sensors

Electronic Control Systems



ENGINEERING YOUR SUCCESS.

IQAN by Parker has a variety of sensors to meet your pressure and temperature monitoring needs. Additionally, the Parker Sensor Business Unit designs and manufactures innovative sensors and switches for off-road vehicles, heavy trucks, construction equipment, agriculture equipment and a variety of general applications. These sensors use proven reliable technologies along with unique electro-magnetic circuits to deliver SMART sensors and switches capable of multiple functions, all in one economical, environmentally sealed package.

IQAN by Parker sensors and other Parker sensors that complement IQAN electronic control systems are an important part of any machine.

Pressure sensors

IQAN-SP035- /

The IQAN-SP035 pressure transducer is a 35 bar (500 psi), 0-5V pressure transducer for mobile hydraulic applications. This transducer is available in two interface types;

Option B has an integrated Bosch automotive connector and G1/4 BSP threads.

Option D has a short cable mounted Deutsch DT automotive connector and SAE 6 (9/16"-18 UNF) threads.

Ordering part numbers

IQAN-SP035-B	5020026
IQAN-SP035-D	2820008

IQAN-SP500- /

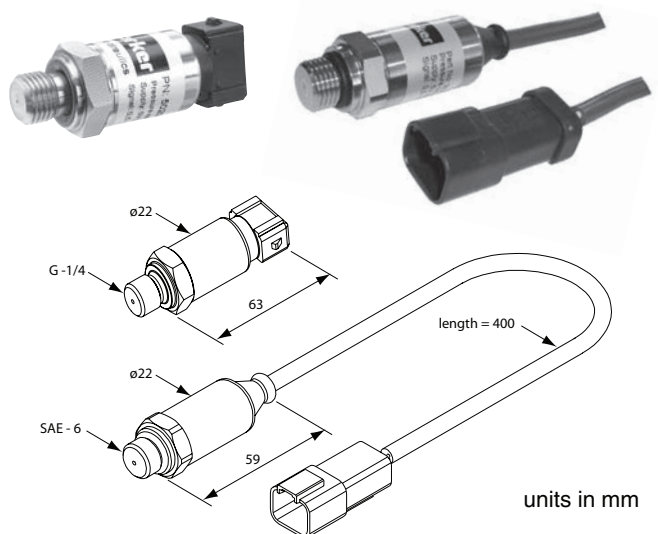
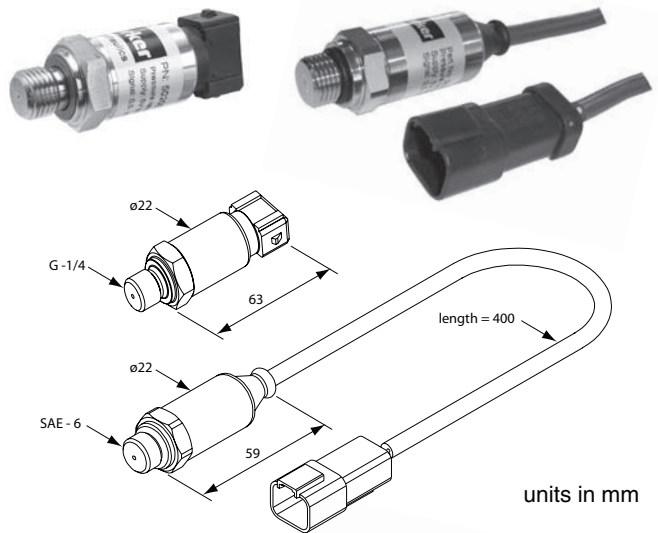
The IQAN-SP500 pressure transducer is a 500 bar (7300 psi), 0-5V pressure transducer for mobile hydraulic applications. This transducer is available in two interface types;

Option B has an integrated Bosch automotive connector and G1/4 BSP threads.

Option D has a short cable mounted Deutsch DT automotive connector and SAE 6 (9/16"-18 UNF) threads.

Ordering part numbers

IQAN-SP500-B	5020027
IQAN-SP500-D	2820009



Temperature sensors

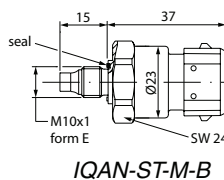
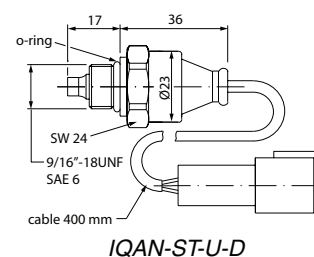
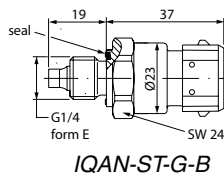
IQAN-ST- / - /

The IQAN-ST temperature transducer is a -50°C to +150°C, 0-5V output active temperature transducer for mobile hydraulic applications. This transducer is available in three interface types;

Option G has G1/4 BSP threads and has a type B integral Bosch automotive connector.

Option U has SAE 6 (9/16"-18 UNF) threads and a type D short cable mounted Deutsch DT automotive connector.

Option M has M10x1 threads and has a type B integral Bosch automotive connector.



units in mm

Ordering part numbers

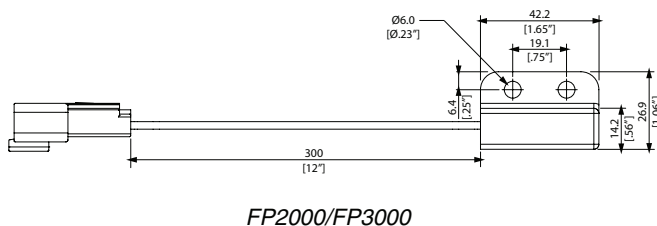
IQAN-ST-G-B	20073657
IQAN-ST-U-D	20073658
IQAN-ST-M-B	20073659

Ferrous proximity sensors

The FP series of proximity sensors are normally open, ferrous proximity sensors for mobile hydraulic applications and will sense ferrous objects.

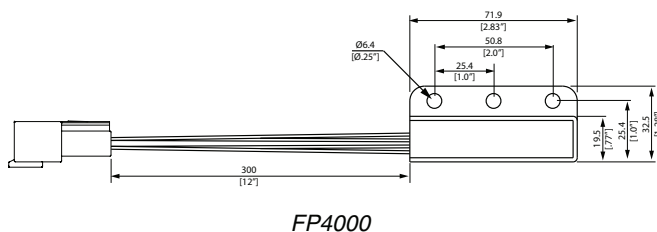


FP2000 proximity sensor is a 6.4 mm (1/4") airgap sensor with 300 mm (12") wire leads and a 2 position Deutsch DTM connector.



FP3000 proximity sensor is a 12.7 mm (1/2") airgap sensor with 300 mm (12") wire leads and a 2 position Deutsch DTM connector.

FP4000 proximity sensor is a high power, 6.4 mm (1/4") airgap sensor with 300 mm (12") wire leads and a 4 position Deutsch DTM connector.



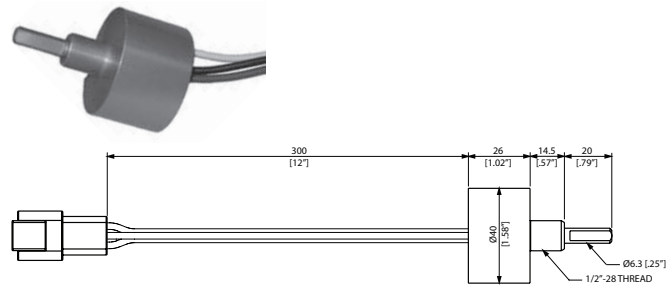
Ordering part numbers

FP2000	01695
FP3000	01699
FP4000	01703

Rotary sensors

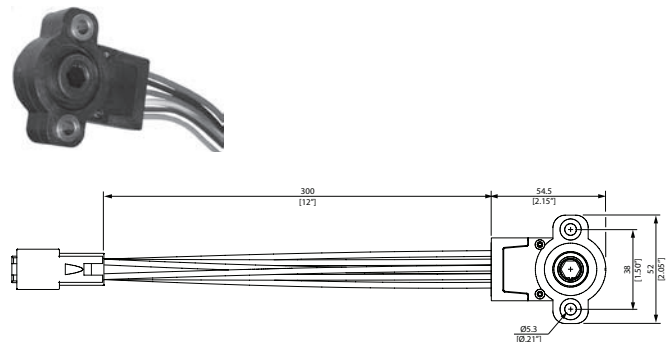
RF50

RF50 rotary friction sensor is a 0-5Vdc output, non-contact, friction lock rotary control for mobile hydraulic applications. The sensor has anodized aluminum construction and potted, sealed electronics. A locating flat on the 1/2"-28 UNEF threaded mount provides for easy alignment. The RF50 has twelve inch wire leads and an attached 3 position Deutsch DTM connector.



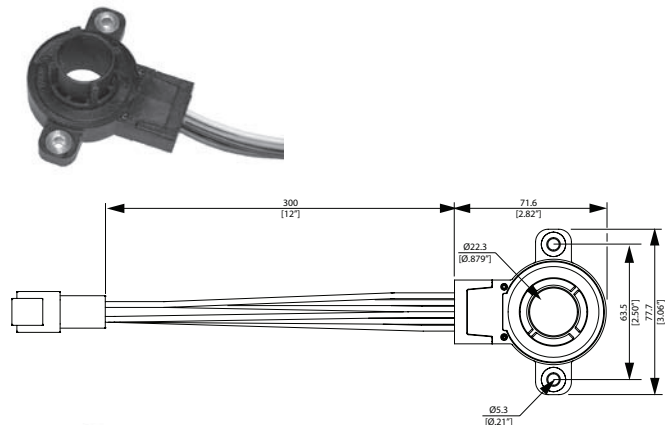
RS70

The RS70 rotary sensor is a 0-5Vdc, dual output, non-contact, spring return, 170° rotary sensor for mobile hydraulic applications. The sensor has glass-filled, nylon plastic construction and potted, sealed electronics. A hexagonal coupling and two roll pins in the body provide for easy alignment. The RS70 has twelve inch wire leads and an attached 6 position Deutsch DTM connector.



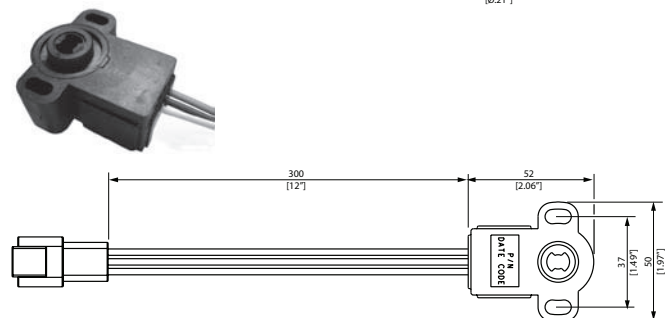
RS60

The RS60 rotary sensor is a 0-5Vdc, dual output, non-contact, spring return, 120° rotary sensor for mobile hydraulic applications. The sensor has glass-filled, nylon plastic construction and potted, sealed electronics. The through-hole coupling allows the flexibility to mount the sensor anywhere along the length of a rotating shaft. The RS60 has twelve inch wire leads and an attached 6 position Deutsch DTM connector.



RS52

The RS52 rotary sensor is a 0-5Vdc output, non-contact, spring return, 90° rotary sensor for mobile hydraulic applications. The sensor has glass-filled, nylon plastic construction and potted, sealed electronics. A versatile coupling and slotted mounting holes provide for easy alignment. The RS52 has twelve inch wire leads and an attached 3 position Deutsch DTM connector.



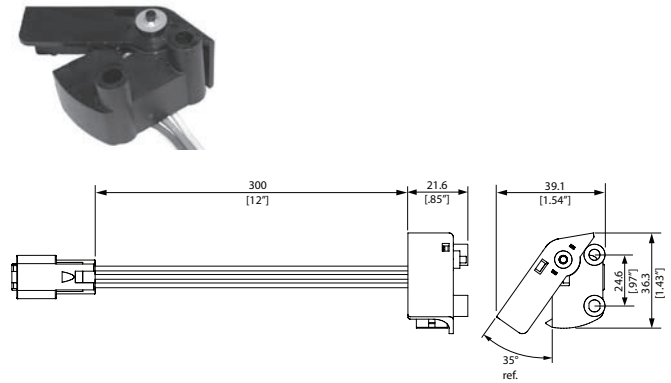
Ordering part numbers

RF50	01705
RS70	01707
RS60	01708
RS52	01709

Linear sensors

ADS50

The ADS50 linear motion sensor is a 0-5Vdc output, non-contact, spring return, lever actuated sensor for mobile hydraulic applications. The sensor has glass-filled, nylon plastic construction and potted, sealed electronics. The sensor outputs a linear signal over 25.4mm (1.0") of travel. Extra large mounting holes provide for easy alignment. The ADS50 has twelve inch wire leads and an attached 3 position Deutsch DTM connector.



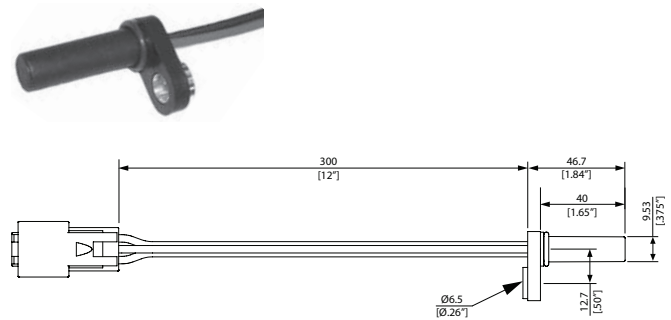
Ordering part number

ADS50 01710

Speed sensors

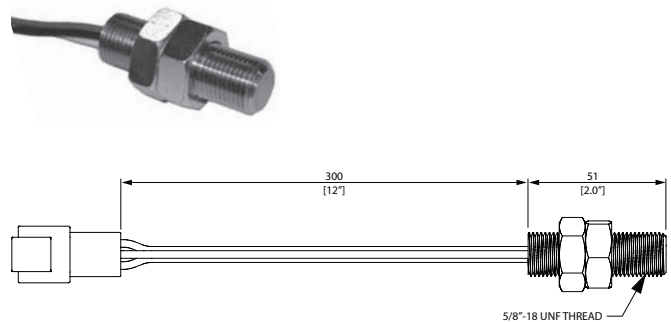
GS50

The GS50 geartooth sensor is a digital output, non-contact, speed sensor for mobile hydraulic applications. The sensor has glass-filled, nylon plastic construction and potted, sealed electronics. A single offset flange mounting hole provides for easy alignment. The GS50 has twelve inch wire leads and an attached 3 position Deutsch DTM connector.



GS60

The GS60 geartooth sensor is a digital output, non-contact, speed sensor for mobile hydraulic applications. The sensor has stainless steel construction and potted, sealed electronics. The 5/8"-18 UNF fully threaded body provides for easy alignment and adjustment. The GS60 has twelve inch wire leads and an attached 3 position Deutsch DTM connector.



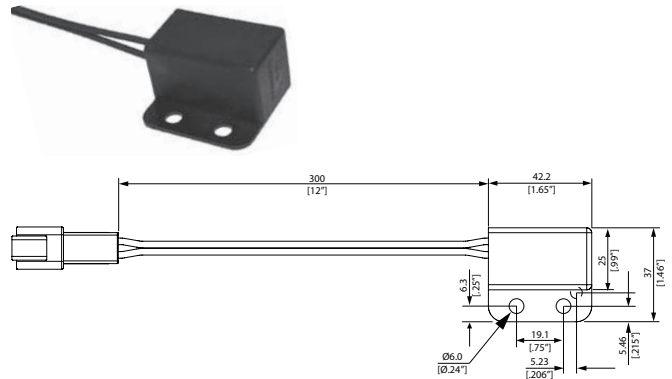
Ordering part numbers

GS50 01711
 GS60 01712

Tilt sensors

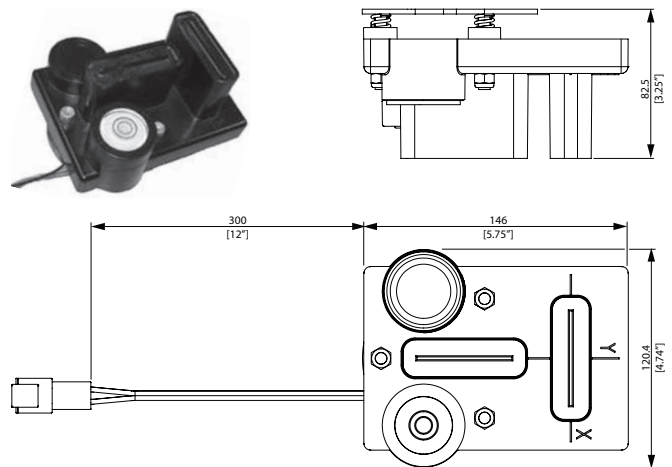
RM50

The RM50 rolling magnet switch is a one axis tilt switch for mobile hydraulic applications. The sensor has glass-filled, nylon plastic construction and potted, sealed electronics. Large mounting holes and a locating pin provide for easy alignment. The RM50 has twelve inch wire leads and an attached 2 position Deutsch DTM connector.



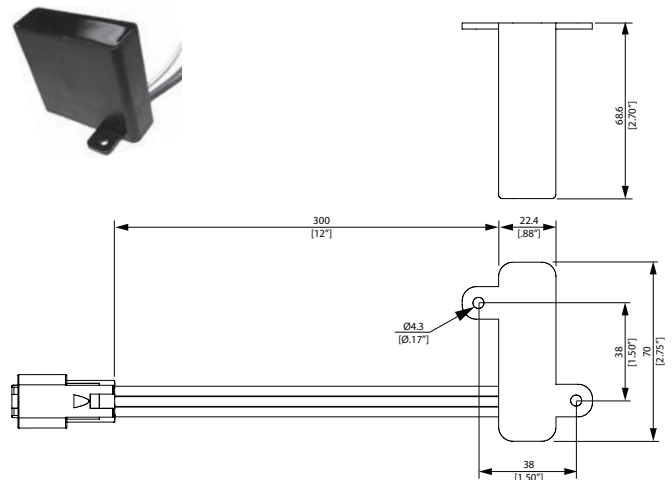
ATS90

The ATS90 dual axis sensor is a 0-5Vdc, dual output, non-contact, Hall effect angle/tilt sensor for mobile hydraulic applications. The sensor has ABS plastic construction and potted, sealed electronics. A built-in bubble level and three point mounting provide for easy installation and setup. The ATS90 has twelve inch wire leads and an attached 4 position Deutsch DTM connector.



ATS50

The ATS50 single axis sensor is a 0-5Vdc, single output, non-contact, Hall effect angle/tilt sensor for mobile hydraulic applications. The sensor has ABS plastic construction and potted, sealed electronics. The mounting holes are extra large for easy alignment. The ATS50 has twelve inch wire leads and an attached 3 position Deutsch DTM connector.



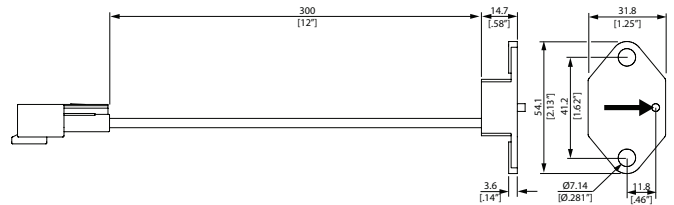
Ordering part numbers

RM50	01715
ATS90	01716
ATS50	01759

Acceleration sensors

ACC50

The ACC50 acceleration sensor is a 0-5 Vdc output accelerometer used to sense vibration, impact, tilt and motion for mobile hydraulic applications. Large mounting holes and a locating pin provide for easy alignment. The ACC50 has twelve inch wire leads and an attached 3 position Deutsch DTM connector.



Ordering part number

ACC50 01767

WARNING

FAILURE OR IMPROPER SELECTION OR IMPROPER USE OF THE PRODUCTS AND/OR SYSTEMS DESCRIBED HEREIN OR RELATED ITEMS CAN CAUSE DEATH, PERSONAL INJURY AND PROPERTY DAMAGE.

This document and other information from Parker Hannifin Corporation, its subsidiaries and authorized distributors provide product and/or system options for further investigation by users having technical expertise. It is important that you analyze all aspects of your application, including consequences of any failure, and review the information concerning the product or system in the current product catalogue. Due to the variety of operating conditions and applications for these products or systems, the user, through its own analysis and testing, is solely responsible for making the final selection of the products and systems and assuring that all performance, safety and warning requirements of the application are met.

The products described herein, including without limitation, product features, specifications, designs, availability and pricing, are subject to change by Parker Hannifin Corporation and its subsidiaries at any time without notice.

Offer of Sale

Please contact your Parker representation for a detailed "Offer of Sale".

Parker Worldwide

AE – UAE, Dubai
Tel: +971 4 8875600
parker.me@parker.com

AR – Argentina, Buenos Aires
Tel: +54 3327 44 4129

AT – Austria, Wiener Neustadt
Tel: +43 (0)2622 23501-0
parker.austria@parker.com

AT – Eastern Europe, Wiener Neustadt
Tel: +43 (0)2622 23501 970
parker.easteurope@parker.com

AU – Australia, Castle Hill
Tel: +61 (0)2-9634 7777

AZ – Azerbaijan, Baku
Tel: +994 50 2233 458
parker.azerbaijan@parker.com

BE/LU – Belgium, Nivelles
Tel: +32 (0)67 280 900
parker.belgium@parker.com

BR – Brazil, Cachoeirinha RS
Tel: +55 51 3470 9144

BY – Belarus, Minsk
Tel: +375 17 209 9399
parker.belarus@parker.com

CA – Canada, Milton, Ontario
Tel: +1 905 693 3000

CH – Switzerland, Etoy
Tel: +41 (0) 21 821 02 30
parker.switzerland@parker.com

CN – China, Shanghai
Tel: +86 21 5031 2525

CZ – Czech Republic, Klecany
Tel: +420 284 083 111
parker.czechrepublic@parker.com

DE – Germany, Kaarst
Tel: +49 (0)2131 4016 0
parker.germany@parker.com

DK – Denmark, Ballerup
Tel: +45 43 56 04 00
parker.denmark@parker.com

ES – Spain, Madrid
Tel: +34 902 33 00 01
parker.spain@parker.com

FI – Finland, Vantaa
Tel: +358 (0)20 753 2500
parker.finland@parker.com

FR – France, Contamine s/Arve
Tel: +33 (0)4 50 25 80 25
parker.france@parker.com

GR – Greece, Athens
Tel: +30 210 933 6450
parker.greece@parker.com

HK – Hong Kong
Tel: +852 2428 8008

HU – Hungary, Budapest
Tel: +36 1 220 4155
parker.hungary@parker.com

IE – Ireland, Dublin
Tel: +353 (0)1 466 6370
parker.ireland@parker.com

IN – India, Mumbai
Tel: +91 22 6513 7081-85

IT – Italy, Corsico (MI)
Tel: +39 02 45 19 21
parker.italy@parker.com

JP – Japan, Fujisawa
Tel: +(81) 4 6635 3050

KR – South Korea, Seoul
Tel: +82 2 559 0400

KZ – Kazakhstan, Almaty
Tel: +7 7272 505 800
parker.easteurope@parker.com

LV – Latvia, Riga
Tel: +371 6 745 2601
parker.latvia@parker.com

MX – Mexico, Apodaca
Tel: +52 81 8156 6000

MY – Malaysia, Subang Jaya
Tel: +60 3 5638 1476

NL – The Netherlands, Oldenzaal
Tel: +31 (0)541 585 000
parker.nl@parker.com

NO – Norway, Ski
Tel: +47 64 91 10 00
parker.norway@parker.com

NZ – New Zealand, Mt Wellington
Tel: +64 9 574 1744

PL – Poland, Warsaw
Tel: +48 (0)22 573 24 00
parker.poland@parker.com

PT – Portugal, Leca da Palmeira
Tel: +351 22 999 7360
parker.portugal@parker.com

RO – Romania, Bucharest
Tel: +40 21 252 1382
parker.romania@parker.com

RU – Russia, Moscow
Tel: +7 495 645-2156
parker.russia@parker.com

SE – Sweden, Spånga
Tel: +46 (0)8 59 79 50 00
parker.sweden@parker.com

SG – Singapore
Tel: +65 6887 6300

SK – Slovakia, Banska Bystrica
Tel: +421 484 162 252
parker.slovakia@parker.com

SL – Slovenia, Novo Mesto
Tel: +386 7 337 6650
parker.slovenia@parker.com

TH – Thailand, Bangkok
Tel: +662 717 8140

TR – Turkey, Istanbul
Tel: +90 216 4997081
parker.turkey@parker.com

TW – Taiwan, Taipei
Tel: +886 2 2298 8987

UA – Ukraine, Kiev
Tel: +380 44 494 2731
parker.ukraine@parker.com

UK – United Kingdom, Warwick
Tel: +44 (0)1926 317 878
parker.uk@parker.com

US – USA, Cleveland (industrial)
Tel: +1 216 896 3000

US – USA, Lincolnshire (mobile)
Tel: +1 847 821 1500

VE – Venezuela, Caracas
Tel: +58 212 238 5422

ZA – South Africa, Kempton Park
Tel: +27 (0)11 961 0700
parker.southafrica@parker.com

European Product Information Centre
Free phone: 00 800 27 27 5374
(from AT, BE, CH, CZ, DE, EE, ES, FI, FR, IE, IT, PT, SE, SK, UK)

US Product Information Center
Free phone: 1-800-272-7537

www.parker.com

Your local authorized Parker distributor

