



aerospace
climate control
electromechanical
filtration
fluid & gas handling
hydraulics
pneumatics
process control
sealing & shielding



Electronic Control - the easy way

Rugged and simple machine control
with intelligent electronics



ENGINEERING YOUR SUCCESS.

IQAN-TOC2 – a shortcut to the future



- **Easy to specify • Easy to install**
- **Easy set-up • Easy diagnostics • Rugged design**
- **Long life • Low total cost**

The IQAN-TOC2 (Task Oriented Controller) is a four input/two dual proportional output controller for hydraulic systems.

Based on IQANdevelop software the TOC2 offers functionality and user-friendliness on a new level for less complex system requirements.

Parker's vast experience in designing equipment for demanding applications and environments has resulted in a range of extremely rugged components, built to provide trouble-free, reliable service for many years. The IQAN-TOC2 systems offer true 'plug-and-play' simplicity,

long service life, easy diagnostics and good ergonomics, in set-up as well as in daily use. All these features add up to superior total performance and economy, while providing a taste of the endless possibilities offered by the complete range of IQAN electronic control systems.

1

Order one of three smart and simple systems

Electronic machine control the IQAN way means simplicity above all. The systems are easy to specify, easy to install, easy to set up and, most importantly, cost effective. Plus, we have made the job even easier for

you - turn the page and find out which configuration fits your needs. Then you simply order the recommended components.

2

...just plug it in...



Installation is very straightforward, and can be completed using simple hand tools and the dedicated wiring harnesses. The controller can be placed anywhere that is convenient – just make sure the adjustment port is accessible.

3

...and you're ready for action!

To set up your IQAN-TOC2 system, all you need is a small screwdriver. By combining pushing and turning motions and watching the LEDs, you will have

the system working in a matter of minutes. This also makes on-site alterations to the set-up easy to achieve.



IQAN-TOC2

Single Function Linear Lever

- **Tipper**
- **Drill rigs**
- **Man lifts**
- **Snow plows**
- **Graders**

The basic IQAN-TOC2 system, perfectly suited to straight-forward tasks controlling any single function that requires redundant sensor signals.

Choose between different sized levers to fit your application – both alternatives offering a positive feel and trouble-free function.

Picture	Item	Description	Qty	Order no.
	TOC2	Controller	1	5010028
	LST	Tiny linear lever (alternate lever no.1)	1	20011381
	LSL-E0-//	Large linear lever (alternate lever no.2)	1	20011365
	Harness	System harness for single function lever	1	5030092
	Connector kit	Needed only if you will build your own harness	1	5031124





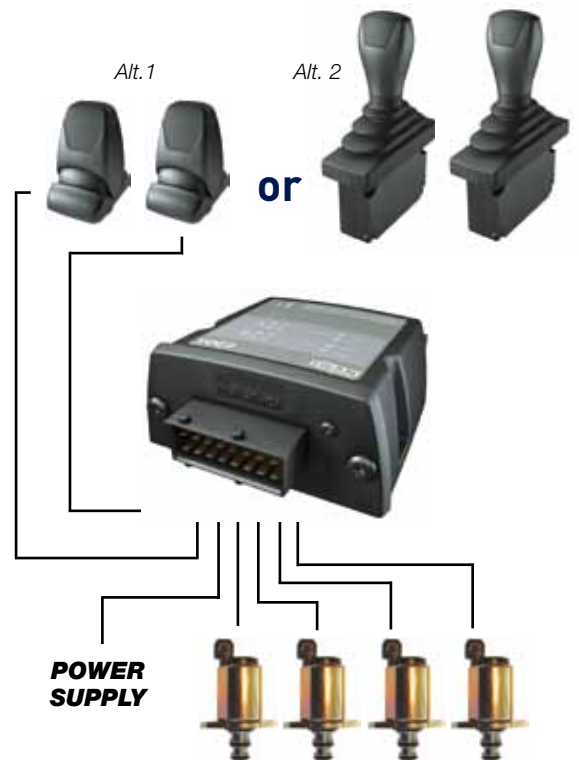
IQAN-TOC2

Dual Function Linear Lever

- Fork lifts ● Bin lifts
- Hook loaders

When you need a little bit more, ready for action in no time.
the IQAN-TOC2 Dual Function system is the right choice.
Set-up is just as easy – just add another linear lever, and you are

Picture	Item	Description	Qty	Order no.
	TOC2	Controller	1	5010028
	LST	Tiny linear lever (alternate lever no.1)	2	20011381
	LSL-E0-//	Large linear lever (alternate lever no.2)	2	20011365
	Harness	System harness for dual function levers	1	5030087
	Connector kit	Needed only if you will build your own harness	1	5031124





IQAN-TOC2 **Dual Function** Co-ordinate Lever

- **Agricultural front end loaders**
- **Rough terrain fork lifts**

This is the most capable of our three systems, offering easy co-ordinate control and simultaneous movements for applications like front end loaders, etc. You have the option of controlling any single function

with redundant sensor signals by connecting one IQAN-TOC2 unit per axis. Of course you may use the co-ordinate lever with a single IQAN-TOC2 for an economical dual function system.



Picture	Item	Description	Qty	Order no.
	TOC2	Controller	1	5010028
	LC5-X05-MPB0W0T0	Large co-ordinate lever with MP handle.	1	20077721
	Connector kit, TOC2	Needed to build your own harness	1	5031105
	Connector kit, LC5-X05	Needed to build your own harness	1	20072408



How to order

Please contact your local Parker representative or distributor.

Addresses world-wide can be found at www.parker.com.

How to install and connect

Please refer to our website www.parker.com/ecd (or www.iqan.com) for downloading installation information for the three basic

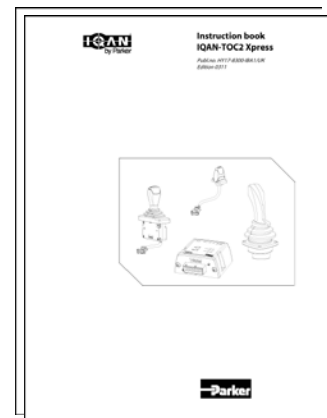
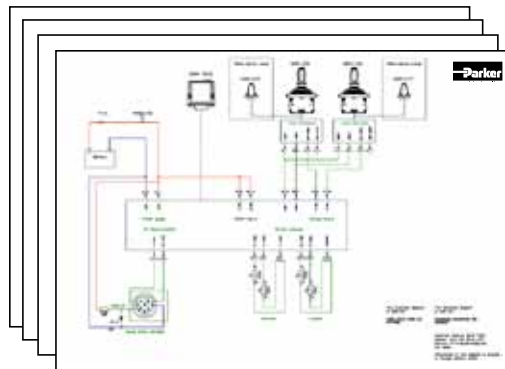
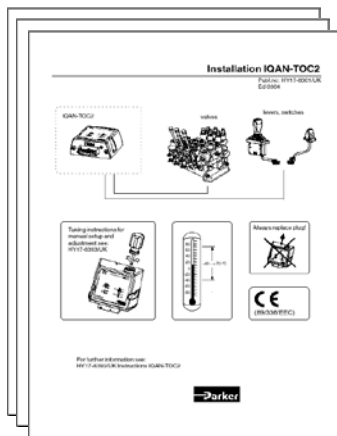
system layouts described here. At the website you will find the following items, offering easy

step-by-step instructions for hassle-free installation and set-up:

Installation sheets

Electrical diagrams

Instruction books



Extended possibilities

If your requirements go beyond the standard situations we describe in this brochure, the IQAN-TOC2 is prepared for further duties thanks to its programmability. This user-friendly function expands the TOC2 range of tasks to new areas, such as fan drives or gritters with feedback, etc. All alterations can be made with our Windows™-compatible software, IQANdevelop.

The TOC2 is the first step into the advanced world of IQAN's software based systems, progressing from entry level to advanced CAN-bus systems for more complex machinery. The IQAN road to the future of machine control offers you almost unlimited possibilities – please request our brochure explaining the intelligent software and all the different system components available.



An overview of the possibilities using IQAN control systems

Parker Worldwide

AE – UAE, Dubai
Tel: +971 4 8127100
parker.me@parker.com

AR – Argentina, Buenos Aires
Tel: +54 3327 44 4129

AT – Austria, Wiener Neustadt
Tel: +43 (0)2622 23501-0
parker.austria@parker.com

AT – Eastern Europe, Wiener Neustadt
Tel: +43 (0)2622 23501 900
parker.easteurope@parker.com

AU – Australia, Castle Hill
Tel: +61 (0)2-9634 7777

AZ – Azerbaijan, Baku
Tel: +994 50 2233 458
parker.azerbaijan@parker.com

BE/LU – Belgium, Nivelles
Tel: +32 (0)67 280 900
parker.belgium@parker.com

BR – Brazil, Cachoeirinha RS
Tel: +55 51 3470 9144

BY – Belarus, Minsk
Tel: +375 17 209 9399
parker.belarus@parker.com

CA – Canada, Milton, Ontario
Tel: +1 905 693 3000

CH – Switzerland, Etoy
Tel: +41 (0) 21 821 87 00
parker.switzerland@parker.com

CL – Chile, Santiago
Tel: +56 2 623 1216

CN – China, Shanghai
Tel: +86 21 2899 5000

CZ – Czech Republic, Klecany
Tel: +420 284 083 111
parker.czechrepublic@parker.com

DE – Germany, Kaarst
Tel: +49 (0)2131 4016 0
parker.germany@parker.com

DK – Denmark, Ballerup
Tel: +45 43 56 04 00
parker.denmark@parker.com

ES – Spain, Madrid
Tel: +34 902 330 001
parker.spain@parker.com

FI – Finland, Vantaa
Tel: +358 (0)20 753 2500
parker.finland@parker.com

FR – France, Contamine s/Arve
Tel: +33 (0)4 50 25 80 25
parker.france@parker.com

GR – Greece, Athens
Tel: +30 210 933 6450
parker.greece@parker.com

HK – Hong Kong
Tel: +852 2428 8008

HU – Hungary, Budapest
Tel: +36 1 220 4155
parker.hungary@parker.com

IE – Ireland, Dublin
Tel: +353 (0)1 466 6370
parker.ireland@parker.com

IN – India, Mumbai
Tel: +91 22 6513 7081-85

IT – Italy, Corsico (MI)
Tel: +39 02 45 19 21
parker.italy@parker.com

JP – Japan, Fujisawa
Tel: +(81) 4 6635 3050

KR – South Korea, Seoul
Tel: +82 2 559 0400

KZ – Kazakhstan, Almaty
Tel: +7 7272 505 800
parker.easteurope@parker.com

LV – Latvia, Riga
Tel: +371 6 745 2601
parker.latvia@parker.com

MX – Mexico, Apodaca
Tel: +52 81 8156 6000

MY – Malaysia, Shah Alam
Tel: +60 3 7849 0800

NL – The Netherlands, Oldenzaal
Tel: +31 (0)541 585 000
parker.nl@parker.com

NO – Norway, Asker
Tel: +47 66 75 34 00
parker.norway@parker.com

NZ – New Zealand, Mt Wellington
Tel: +64 9 574 1744

PL – Poland, Warsaw
Tel: +48 (0)22 573 24 00
parker.poland@parker.com

PT – Portugal, Leca da Palmeira
Tel: +351 22 999 7360
parker.portugal@parker.com

RO – Romania, Bucharest
Tel: +40 21 252 1382
parker.romania@parker.com

RU – Russia, Moscow
Tel: +7 495 645-2156
parker.russia@parker.com

SE – Sweden, Spånga
Tel: +46 (0)8 59 79 50 00
parker.sweden@parker.com

SG – Singapore
Tel: +65 6887 6300

SK – Slovakia, Banska Bystrica
Tel: +421 484 162 252
parker.slovakia@parker.com

SL – Slovenia, Novo Mesto
Tel: +386 7 337 6650
parker.slovenia@parker.com

TH – Thailand, Bangkok
Tel: +662 717 8140

TR – Turkey, Istanbul
Tel: +90 216 4997081
parker.turkey@parker.com

TW – Taiwan, Taipei
Tel: +886 2 2298 8987

UA – Ukraine, Kiev
Tel: +380 44 494 2731
parker.ukraine@parker.com

UK – United Kingdom, Warwick
Tel: +44 (0)1926 317 878
parker.uk@parker.com

US – USA, Cleveland (industrial)
Tel: +1 216 896 3000

US – USA, Lincolnshire (mobile)
Tel: +1 847 821 1500

VE – Venezuela, Caracas
Tel: +58 212 238 5422

ZA – South Africa, Kempton Park
Tel: +27 (0)11 961 0700
parker.southafrica@parker.com



European Product Information Centre

Free phone: 00 800 27 27 5374
(from AT, BE, CH, CZ, DE, EE, ES, FI, FR, IE, IL, IS, IT, LU, MT, NL, NO, PT, SE, SK, UK)

US Product Information Centre

Free phone: 1-800-27 27 537
www.parker.com