

Sales Offices

AE – United Arab Emirates,
Abu Dhabi
Tel: +971 2 67 88 587

AR – Argentina, Buenos Aires
Tel: +54 3327 44 4129

AT – Austria, Wiener Neustadt
Tel: +43 (0)2622 23501-0

AT – Austria, Wiener Neustadt
(Eastern Europe)
Tel: +43 (0)2622 23501 970

AU – Australia, Castle Hill
Tel: +61 (0)2-9634 7777

AZ – Azerbaijan, Baku
Tel: +994 50 2233 458

BE – Belgium, Nivelles
Tel: +32 (0)67 280 900

BR – Brazil, Cachoeirinha RS
Tel: +55 51 3470 9144

BY – Belarus, Minsk
Tel: +375 17 209 9399

CA – Canada, Milton, Ontario
Tel: +1 905 693 3000

CH – Switzerland
See Germany

CN – China, Shanghai
Tel: +86 21 5031 2525

CN – China, Beijing
Tel: +86 10 6561 0520

CZ – Czech Republic, Klecany
Tel: +420 284 083 111

DE – Germany, Kaarst
Tel: +49 (0)2131 4016 0

DK – Denmark, Ballerup
Tel: +45 43 56 04 00

ES – Spain, Madrid
Tel: +34 902 33 00 01

FI – Finland, Vantaa
Tel: +358 (0)20 753 2500

FR – France,
Contamine-sur-Arve
Tel: +33 (0)4 50 25 80 25

GR – Greece, Athens
Tel: +30 210 933 6450

HK – Hong Kong
Tel: +852 2428 8008

HU – Hungary, Budapest
Tel: +36 1 220 4155

IE – Ireland, Dublin
Tel: +353 (0)1 466 6370

IN – India, Mumbai
Tel: +91 22 6513 7081-85

IT – Italy, Corsico (MI)
Tel: +39 02 45 19 21

JP – Japan, Fujisawa
Tel: +(81) 4 6635 3050

KR – South Korea, Seoul
Tel: +82 2 559 0400

KZ – Kazakhstan, Almaty
Tel: +7 3272 505 800

LV – Latvia, Riga
Tel: +371 74 52601

MX – Mexico, Apodaca
Tel: +52 81 8156 6000

MY – Malaysia, Subang Jaya
Tel: +60 3 5638 1476

NL – The Netherlands,
Oldenzaal
Tel: +31 (0)541 585 000

NO – Norway, Ski
Tel: +47 64 91 10 00

NZ – New Zealand, Mt Wellington
Tel: +64 9 574 1744

PL – Poland, Warsaw
Tel: +48 (0)22 573 24 00

PT – Portugal, Leca
da Palmeira
Tel: +351 22 999 7360

RO – Romania, Bucharest
Tel: +40 21 252 1382

RU – Russia, Moscow
Tel: +7 495 645-2156

SE – Sweden, Spånga
Tel: +46 (0)8 59 79 50 00

SG – Singapore
Tel: +65 6887 6300

SL – Slovenia, Novo Mesto
Tel: +386 7 337 6650

SK – Slovakia
See Czech Republic

TH – Thailand, Bangkok
Tel: +662 717 8140

TR – Turkey, Merter/Istanbul
Tel: +90 212 482 91 06 or 07

TW – Taiwan, Taipei
Tel: +886 2 2298 8987

UA – Ukraine, Kyiv
Tel +380 44 494 2731

UK – United Kingdom,
Warwick
Tel: +44 (0)1926 317 878

US – USA, Cleveland
(Industrial)
Tel: +1 216 896 3000

US – USA, Lincolnshire
(Mobile)
Tel: +1 847 821 1500

US – USA, Miami
(Pan American Division)
Tel: +1 305 470 8800

VE – Venezuela, Caracas
Tel: +58 212 238 5422

ZA – South Africa,
Kempton Park
Tel: +27 (0)11 961 0700



aerospace
climate control
electromechanical
filtration
fluid & gas handling
hydraulics
pneumatics
process control
sealing & shielding



Gear Pumps/Motors

Robust and quiet pumps and motors for demanding applications



High performance gear pumps and motors

Outstanding reliability for demanding applications

Parker's gear pumps and motors are ideal for many demanding applications. They maintain the same superior performance all through their long, trouble-free service life.

Our state-of-the-art Series 600 cast iron pumps and motors

offer a unique interlocking design of the flange and the bell housing. This feature enables exceptionally high efficiency at noise levels far below those of conventional designs.

The compact, flexible design also offers alternatives such as

multiple pumps with common inlet port, integrated valves and combinations with pumps from our wide range of piston pumps.

Whatever your needs, there is always a Parker pump or motor that's right for you!



Low noise is an important consideration in many types of applications. Parker's gear pumps deliver! The wide range of sizes, configurations and options cover any need.

Series	Displacement	Max. Pressure	Max. Speed
PGP/M620	16-52 cc/rev	275 bar	3500 rpm
PGP/M640	30-80 cc/rev	310 bar	3500 rpm
PGP/M511	4-33 cc/rev	250 bar	3500 rpm
PGP517	14-70 cc/rev	250 bar	3400 rpm



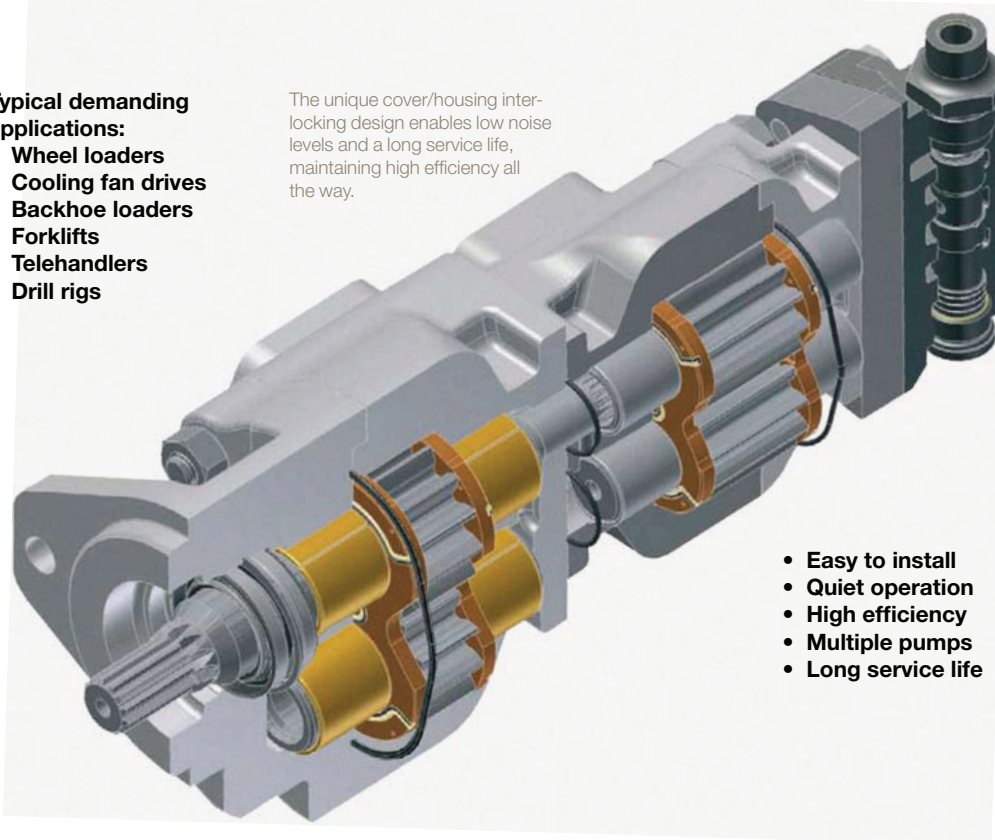
Typical demanding applications:

- Wheel loaders
- Cooling fan drives
- Backhoe loaders
- Forklifts
- Telehandlers
- Drill rigs

Our durable hydraulic pump/motor systems can be found in most leading brands of telehandlers – as is the case with many types of mobile machines all over the world.



Parker's gear pumps and motors are available as single, multiple, piggyback and drive-thru-assemblies. Parker's robust, easily installed gear pumps and motors are well suited for many high performance applications. They are available with or without integrated valves for maximum flexibility.



The unique cover/housing interlocking design enables low noise levels and a long service life, maintaining high efficiency all the way.

- Easy to install
- Quiet operation
- High efficiency
- Multiple pumps
- Long service life

Thanks to their high efficiency and reliability, Parker gear pumps are highly sought after for wheel-loader use. Our fan drive motors make sure the machines run cool and trouble free.



Fork lift trucks and street maintenance vehicles are ideal applications for Parker's reliable gear pumps.